



## PRODUCT SPECIFICATION

# CC4600 Series CCD Color Cameras

## 1/3-INCH, DIGITAL, HIGH RESOLUTION, 470 TVL



### Product Features

- AC Line Lock
- "C/CS" Lens Mount
- Wide Range CCD Iris
- 1/3-Inch Format CCD Imager
- Horizontal Resolution 470 TVL
- Digital Signal Processing
- Normal or Sharp Aperture Selection
- For use with DC or Video Type Auto Iris Lenses
- Integral Isolation Transformer



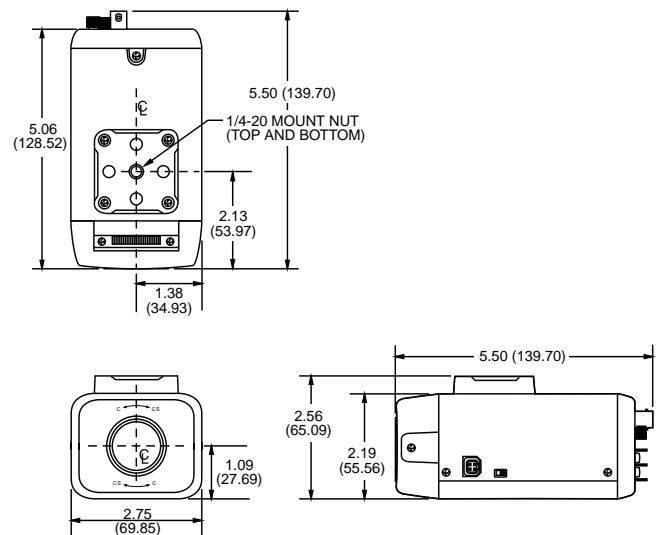
(LENS NOT SUPPLIED WITH CAMERA)

The **CC4600 Series** are compact and lightweight, 1/3-inch image format, color CCD cameras featuring contemporary styling and easily accessible rear panel controls.

The **CC4600 Series** has been designed specifically for surveillance and monitoring applications where lighting is minimal. Only 1.9 lux at f1.2 is required for clear image acquisition. The **CC4600 Series** produces pictures with sufficient contrast to allow for good object recognition.

Primary features include high sensitivity, digital signal processing for automatic backlight compensation and automatic flicker reduction, Turbo AGC, CCD iris (electronic shutter), line lock function, automatic tracing white balance, 4-pin auto iris connector for use with video or DC type auto iris lenses, and a double cam C/CS head which eliminates the need for C-mount adapters.

In addition, lower power consumption and a wide environmental operating range make the **CC4600 Series** an excellent choice for demanding surveillance and monitoring applications.



NOTE: VALUES IN PARENTHESES ARE MILLIMETERS; ALL OTHERS ARE IN INCHES



## TECHNICAL SPECIFICATIONS

### MODELS

CC4600-2	1/3-inch High resolution, color CCD camera, 24 VAC, NTSC/EIA
CC4600-2X	Same as CC4600-2 except PAL/CCIR format
CC4600-3	1/3-inch High resolution, color CCD camera, 230 VAC, PAL/CCIR

### GENERAL

Image Device	1/3-inch Interline transfer CCD
Picture Elements	
CC4600-2	768 (H) x 494 (V)
CC4600-2X,	
CC4600-3	752 (H) x 582 (V)
Sensing Area	6.3mm (H) x 4.7mm (V)
Scanning System	525 lines, 2:1 interlace
Sync System	Internal or external
External Sync	AC line lock, 50/60 Hz, ±90° V-phase adjustment
Horizontal Resolution	470 TV lines
Minimum Illumination	1.9 lux (f1.2, with AGC set to ON in Turbo mode)
CCD Iris	
CC4600-2	1/60 to 1/100,000 second
CC4600-2X,	
CC4600-3	1/50 to 1/100,000 second
CCD Iris Control	ON/OFF switchable
Signal-to-Noise Ratio	50 dB, AGC OFF (weighted)
Automatic Gain Control	ON/OFF/Turbo switchable
White Balance	ATW Pro/ATW switchable
ATW Pro Range	2500°K to 6,000°K
ATW Range	2000°K to 10,000°K
Phase Control	V-phase control (±90°)
Backlight Compensation	On*/Off selectable *(DC Auto Iris or CCD Iris mode)
Video Out	1.0Vp-p, 75Ω, sync negative, BNC type
Lens Type	Video/DC servo switchable

### ELECTRICAL

Power Requirements	
CC4600-2	24 VAC, 60 Hz
CC4600-2X	24 VAC, 50 Hz
CC4600-3	220-240 VAC, 50 Hz
Power Consumption	
CC4600-2	4.5W (approximately)
CC4600-2X,	
CC4600-3	5.5W (approximately)
Connectors	
CC4600-2,	
CC4600-2X	Video Out (BNC)
	Lens (4-pin)
	GND terminal
	AC 24V terminals
	Video Out (BNC)
	Lens (4-pin)
CC4600-3	

### MECHANICAL

Lens Mount	C/CS mount (adjustable)
Camera Mount	Removable mounting plate fits either top or bottom of camera housing; uses 1/4-inch UNC-20 screw

### ENVIRONMENTAL

Operating Temperature	14°F to 122°F (-10°C to 50°C)
Storage Temperature	-40°F to 140°F (-40°C to 60°C)
Humidity	20 to 80% (non-condensing)
Shock resistance	70G

### PHYSICAL

Construction	Aluminum case
Finish	Neutral gray
Dimensions	See dimension drawing on front
Weight	
CC4600-2,	1 lb 2 oz. (.51 kg)
CC4600-2X	
CC4600-3	1 lb 6 oz. (.62 kg)

### CERTIFICATIONS

- ◆ CE compliant (CC4600-2CX, CC4600-3)
- ◆ UL listed (CC4600-2 only)

### ACCESSORIES

Supplied Accessories	Lens mount cap 4-pin plug for auto iris lens
----------------------	---

### POWER SUPPLIES

TF1000	Power supply for 24 VAC cameras, 10 vA
TF2000	Power supply for 24 VAC cameras, 20 vA
TF3000	Power supply for 24 VAC cameras, 30 vA
TF9000	Power supply for 24 VAC cameras, 50 vA



CC4600-2/CC4600-2X REAR VIEW



CC4600-3 REAR VIEW

Specifications subject to change without notice.  
©Copyright 1996, PELCO. All rights reserved.